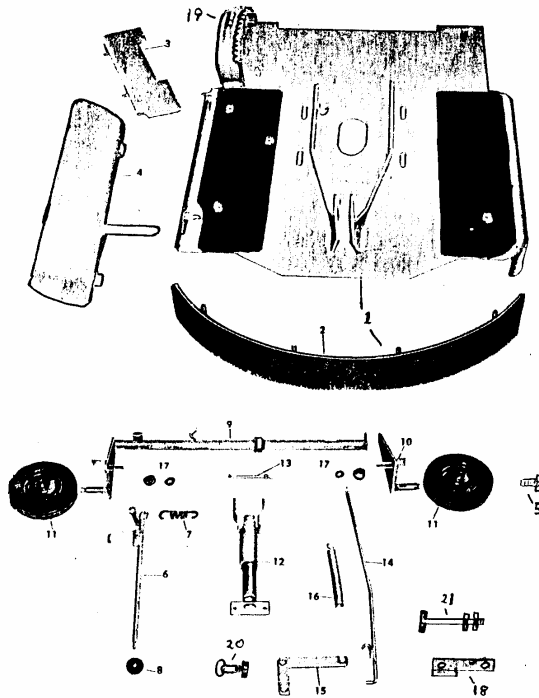
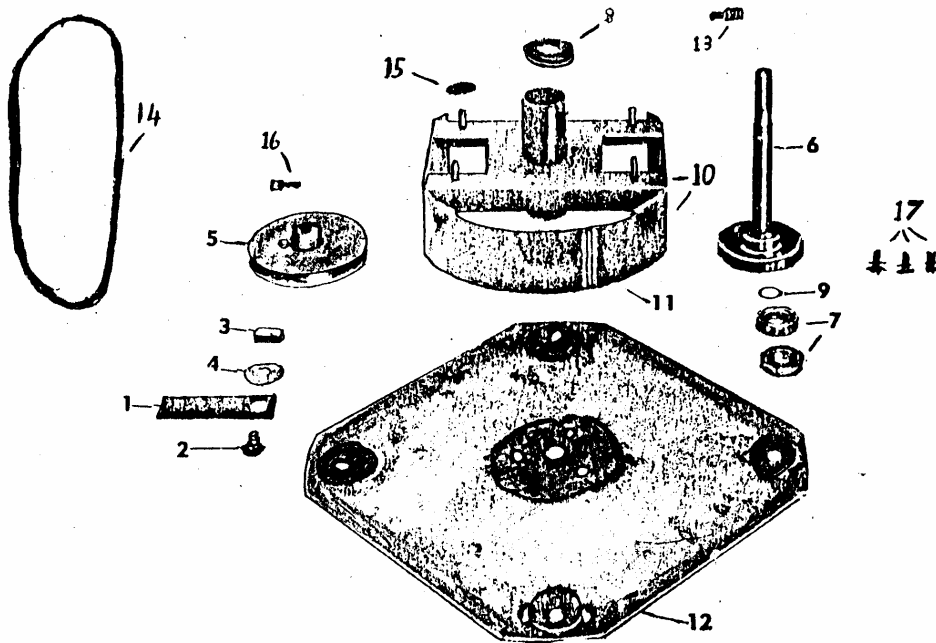


28" COVER ASSEMBLY



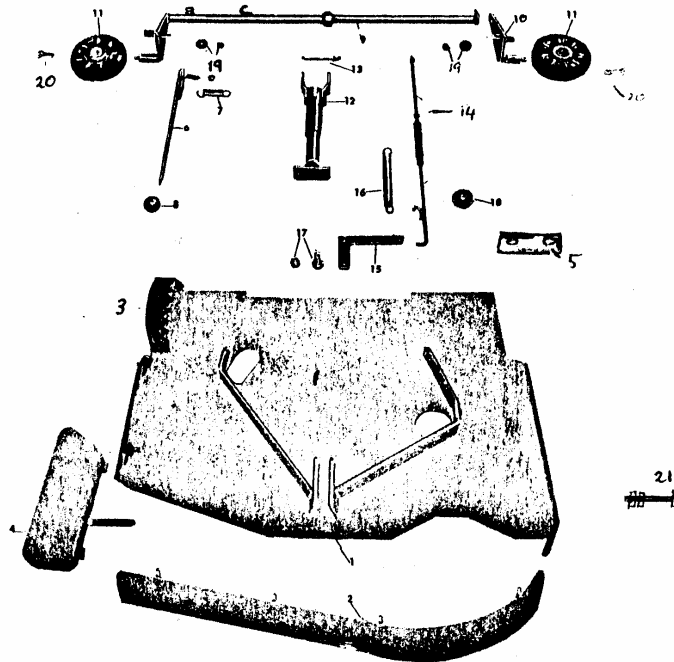
Illus. No.	Description.	Part No.
1	MAIN GUARD INC. FRONT SKIRT	R40/41
2	FRONT SKIRT	R41
3	DEFLECTOR PLATE	R42
4	SIDE FLAP	R43
5	SCREW & WASHER	G02
6	LEVER, RAISE & LOWER	R45
7	SPRING, R&L. LEVER	R46
8	KNOB	D42
9	CROSS BAR	MR48
10	STUB AXLE & PLATE	MR49
11	WHEEL COMPLETE	MR50
--	TYRE	R57
--	BEARING, WHEEL (6205Z)	MD18
12	SWIVEL JOINT	(R51) R 71
13	BOLT, CHASSIS TO S/JOINT	R52
14	ROD, CONNECTING	R53
15	LINK, CONN. ROD	R54
16	SPRING	D50
17	NUT & WASHER	R78
18	LINK BRACKET	R59
19	HEIGHT RACK	R225
20	BOLT & NUT (ROUND HEAD)	R76
21	BOLT, 4"x1/2"w	R515
--	DECK ASSEMBLY INCLUDING SPINDLE ASSEMBLY	R2828

28" CUTTER SPINDLE ASSEMBLY



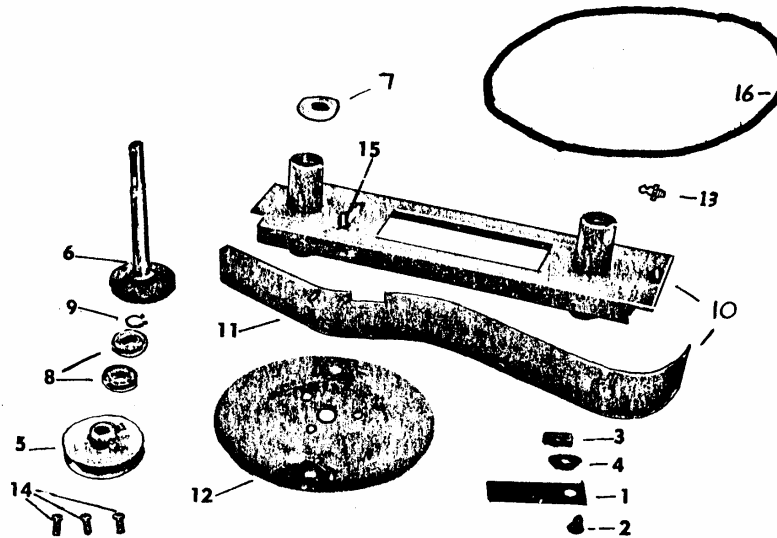
<u>Illus. No.</u>	<u>Description.</u>	<u>No. Required.</u>	<u>Part No.</u>
1	BLADE	4	R01
2	BLADE BOLT	4	D02
3	BLADE NUT	4	D03
4	BLADE WASHER	4	D04
5	PULLEY	1	R05 D10
6	SPINDLE & FLANGE	1	R06
7	BEARING (6205NRS)	2	R28
8	DUST CAP	1	D09
9	CIRCLIP	1	R29
10	HOUSING & DEFLECTOR	1	R10/11
11	DEFLECTOR PLATE	1	R11
12	BLADE PLATE	1	R12
13	GREASE NIPPLE	1	R13
14	CUTTER BELT (B66)	1	R14
15	WASHER	4	DD111
16	SET SCREW, PULLEY	2	H25
17	SET SCREW, BLADE PLATE	3	G36

36" COVER ASSEMBLY



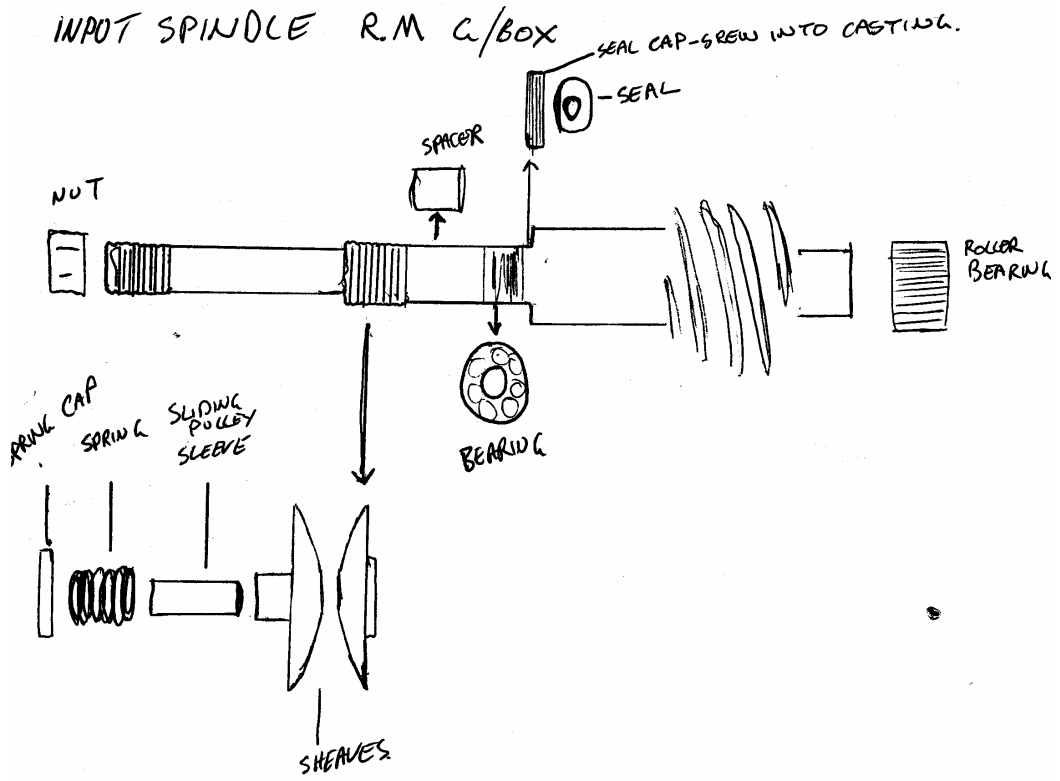
<u>Illus. No.</u>	<u>Description.</u>	<u>Part No.</u>
1	MAIN GUARD & FRONT GUARD	R60/61
2	FRONT GUARD	R61
3	HEIGHT QUADRANT	R225
4	SIDE FLAP	R63
5	LINK BRACKET	R59
6	RAISE & LOWER LEVER	R45
7	LEVER SPRING	R46
8	KNOB	D42
9	CROSSBAR	R68
10	STUB AXLE & PLATE	R69
11	WHEEL	R70
12	SWIVEL JOINT	(R51) R71
13	BOLT	R52
14	CONNECTING ROD	R73
15	LINK, CONNECTING ROD	R54
16	SPRING	D50
17	CONNECTING BOLT & NUT	R76
18	WASHER 2"	R77
19	NUT & WASHER - (602)	*R78
20	TAPER SCREW	R309
21	BOLT, FRONT DECK SUPPORT	R515
--	WHEEL BEARING	R18
--	TYRE	R57
--	FOOT PAD	R401
	<i>Deck Complete</i>	<i>R3636</i>

36" CUTTER SPINDLE ASSEMBLY



<u>Illus. No.</u>	<u>Description.</u>	<u>Part No.</u>
1	BLADE x 4	R01
2	BLADE BOLT x 4	D02
3	BLADE NUT x 4	D03
4	BLADE WASHER x 4	D04
5	PULLEY x 2	R25
6	SPINDLE & FLANGE x 2	R06
7	DUST CAP x 2	D09
8	BEARING 6205NRS x 4	R28
9	CIRCLIP x 2	R29
10	HOUSING & DEFLECTOR	R30/31
11	DEFLECTOR PLATE	R31
12	BLADE PLATE x 2	R32
13	GREASE NIPPLE x 2	R13
14	SET SCREW & S/WASHER x 6	G36
15	ADJUSTMENT BOLT	R35
16	CUTTER BELT (B85)	R36

INPUT SPINDLE R.M. C/BOX



BELT ADJUSTMENT AND REPLACEMENT

280 and 360 Ride-on Mowers

WARNING! Before any adjustments or replacements are done, turn engine off and remove ignition key. (Remove spark plug lead if mower is fitted with push button starter switch).

TRANSMISSION BELT ADJUSTMENT:

If mower does not move off in position one of variable speed lever, adjust by shortening speed control rod, Part No. RD121, which passes through frame on L.H. side of engine. Unscrew lock nut, remove split pin then screw down top link.

TRANSMISSION BELT REPLACEMENT:

1. Remove back plate, (rear of engine).
2. Remove complete sliding assembly from engine crankshaft by unscrewing (R.H. thread) using "Vise Grips" on bottom sheave of pulley.
3. Replace belt, re-assemble and adjust.

CUTTER DRIVE BELT ADJUSTMENT:

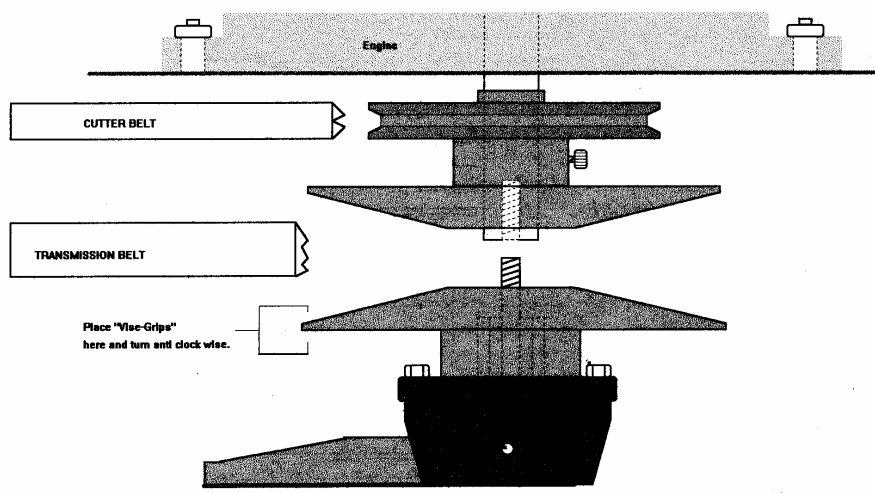
On 280, single spindle machine, loosen four holding cutter head to guard and pull forward. Tighten bolts.

On 360, twin spindle machine, loosen two bolts holding cutter assembly to guard and pull forward. Tighten bolts.

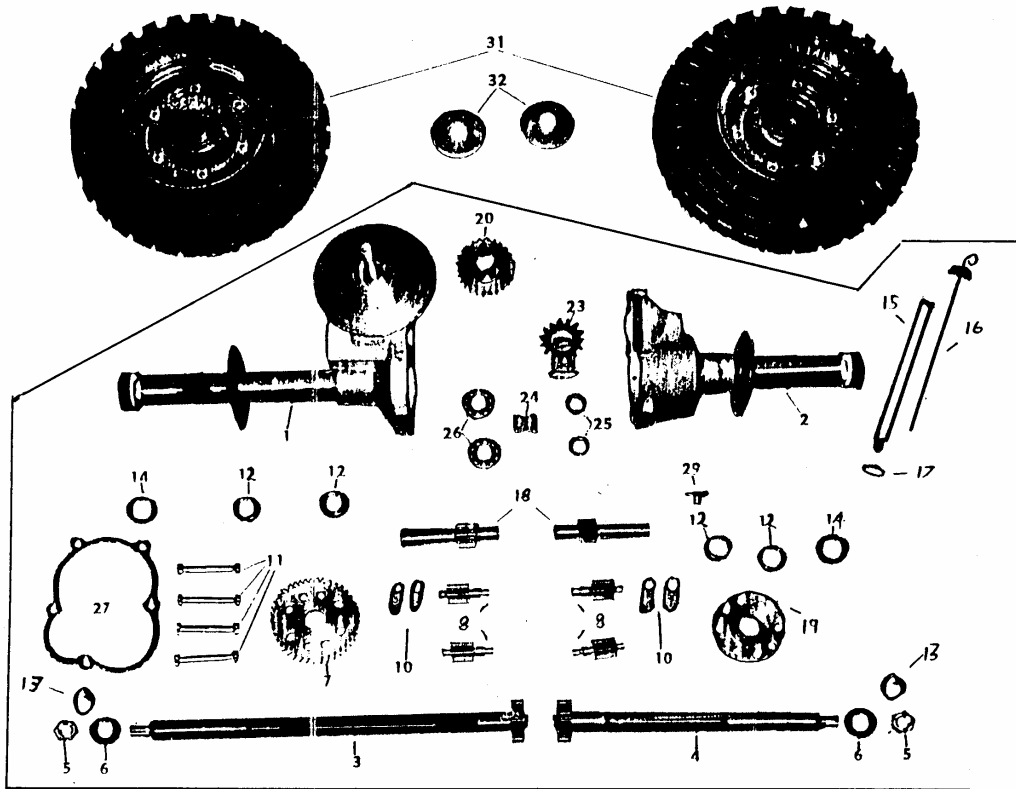
Do not move engine back to adjust cutter belt as this will alter transmission drive adjustment.

CUTTER DRIVE BELT REPLACEMENT:

1. Remove handles and column by loosening set screw in steering arm, Part No. R85.
2. Remove belt cover.
3. On 280, single spindle machine, loosen four holding cutter head to guard, on 360, twin spindle machine, loosen two bolts holding cutter assembly to guard.
4. Remove top bolt of swivel joint, Part No. R51.
5. Remove back plate, (rear of engine).
6. Remove complete sliding assembly from engine crankshaft by unscrewing (R.H. thread) using "Vise Grips" on the bottom sheave (see illus.).
7. Replace belt, re-assemble and adjust.

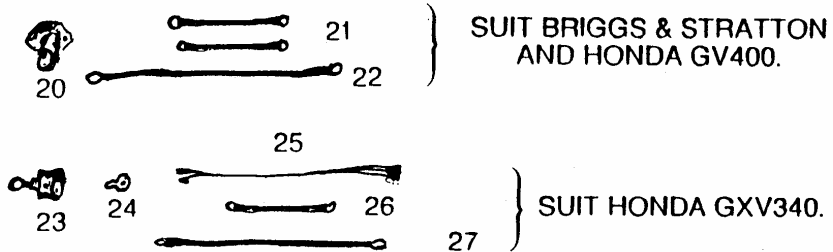


DIFFERENTIAL & GEARBOX



Illus.	Description.	Part No.	Illus.	Description.	Part No.
1	MAIN HOUSING L.H.	RD170	19	SIDE PLATE, DIFF	RD177
2	MAIN HOUSING R.H.	RD171	20	BRONZE & GEAR	RD189/190
3	AXLE, L.H. to s/n. 11010	RD172	23	REVERSE GEAR	RD191/2
4	AXLE, R.H. to s/n. 11010	RD173	24	KEEPER PLATE	RD193
	SPIRAL TEETH from s/n. 11011.RD172S		25	NEEDLE BEARING	RD194
	SPIRAL TEETH from s/n. 11011.RD173S		26	BALL BEARING	RD195
5	NUT 5/8"unf	RD174	27	GASKET	RD196
6	FLAT WASHER	RD175	29	DRAIN PLUG	MDD98
7	CROWN GEAR	RD176	31	WHEEL ASSEMBLY	RD200
8	SPIDER GEAR to s/n. 11010.	RD178A	32	CAP	RD201
	SPIRAL TEETH from s/n. 11011.RD178SL		--	WHEEL RIM	RD202
	R.H.	RD178SR	--	TYRE TY13-500-6	HD122
10	SPACERS	MRD179	--	TUBE Tu13-500-6	RD204
11	BOLT, HIGH TENSILE	RD180	--	DUAL WHEEL ASSE.	RD205
12	BEARING, AXLE ROLLER	RD181	--	DUAL WHEEL RIM	RD206
13	SPRING WASHER	HD124	--	DRIVE WASHER	R300
14	SEAL	RD186	--	GEARBOX COMPLETE	RD250S
15	OIL FILLER TUBE	RD197	--	GASKET & SEAL KIT	RD400
16	DIPSTICK	RD198			
17	FIBRE WASHER	HD116			
18	SLIDING PINION	RD188			

ELECTRICAL SYSTEM



BRIGGS & STRATTON 10hp & 12hp . HONDA GV400 11hp.

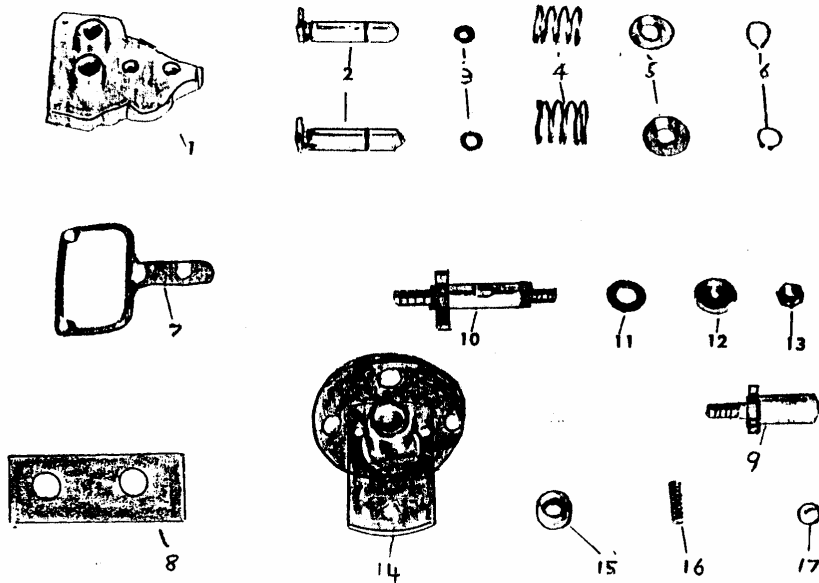
<u>ILLUST. No.</u>	<u>DESCRIPTION.</u>	<u>PART No.</u>
—	BATTERY BOX	R310
20	STARTER SWITCH	R311
21	CABLE 6"	R312
22	CABLE 30"	R314
23	KEY STARTER SWITCH	R320
24	KEY	R321
25	WIRING LOOM	R322
26	CABLE 9"	R313
27	CABLE 13"	R323
—	BATTERY, (339)	R315

HONDA GXV340 WIRING CODE.

<u>SWITCH -R320</u>	<u>WIRE COLOUR</u>	<u>PART</u>
M	BLACK (WHITE)	CUT OUT SWITCH SEAT SWITCH)
B	BLUE	BATTERY - POSITIVE
S	WHITE	SOLENOID
L	RED	RECTIFIER

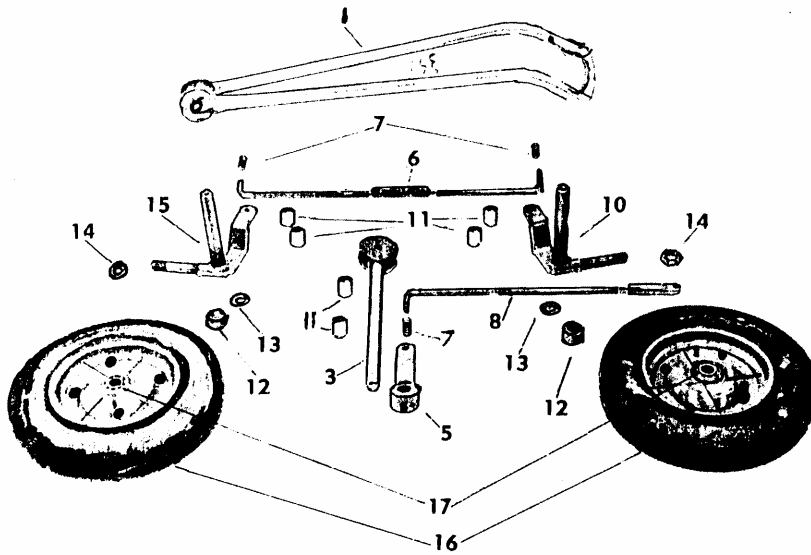
WARNING :- INCORRECT WIRING MAY RESULT IN DAMAGE TO THE ENGINES ELECTRICAL SYSTEM.

FORWARD & REVERSE CONTROL



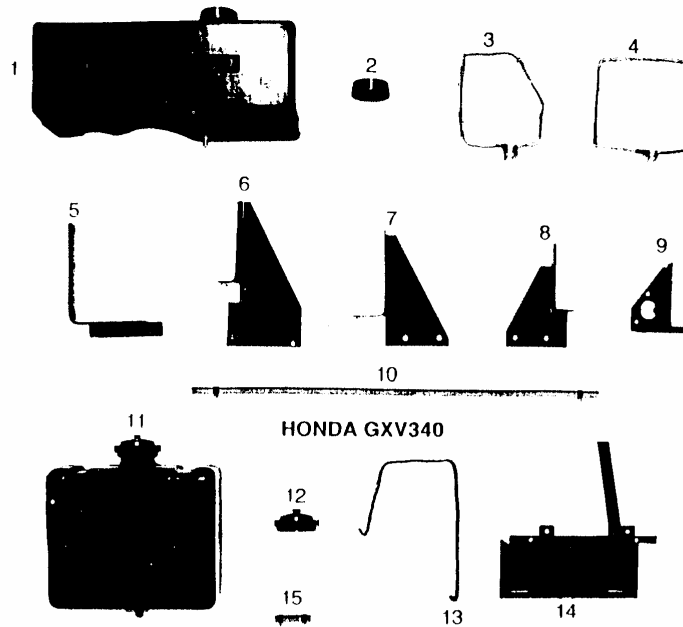
Illus. No.	Description.	Part No.
1	SIDE CASTING	RD130
2	SELECTOR TAPPET	RD132
3	O-RING	RD133
4	SPRING	RD134
5	CAP, SPRING	RD135
6	CIRCLIP, 5/8" ex.	RD136
7	GASKET	RD137
8	LOCKING TAB	RD129
9	HOLDER, BALL & SPRING	RD149
10	PIVOT SPINDLE	RD139
11	THRUST RACE	RD140
12	CAP NUT	RD141
13	LOCK NUT	RD142
14	CAM PLATE ASSEMBLY inc. BUSH	MRD143
15	BUSH	RD146
16	SPRING, NEUTRAL	RD147
17	BALL, NEUTRAL	RD148

FRONT END AND STEERING ASSEMBLY



<u>Illus. No.</u>	<u>Description.</u>	<u>Part No.</u>
1	HANDLES	R81
3	STEERING COLUMN	R83
5	STEERING ARM	R85
6	FRONT TIE ROD	R86
7	SPRING	R87
8	REAR TIE ROD	R88
10	KING PIN & STUB AXLE L.H.	MR95
11	BUSH	R91
12	COLLAR	R92
13	THRUST WASHER	R93
14	AXLE NUT	RD174
15	KING PIN & STUB AXLE R.H.	MR95
16	WHEEL ASSEMBLY	R98
17	WHEEL BEARING 6205z	MR97
--	TYRE 410-350-6	MDD116
--	TUBE 410-350-6	RD204
--	HUB CAP	R100
--	WHEEL RIM inc. BEARINGS	R99

FUEL TANK ASSEMBLY



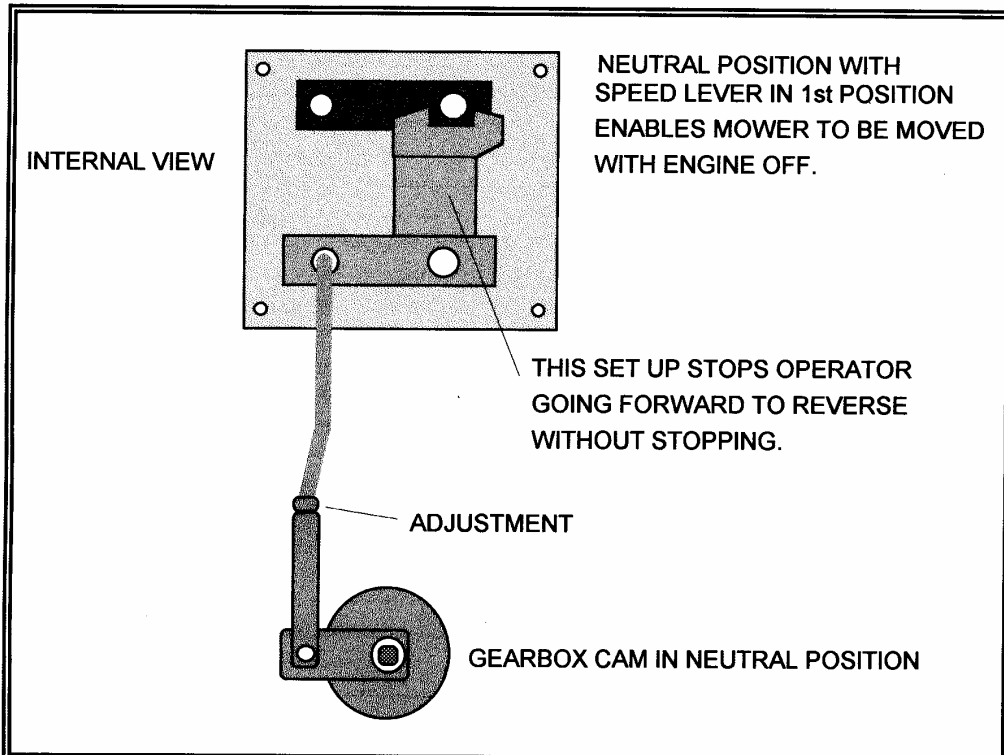
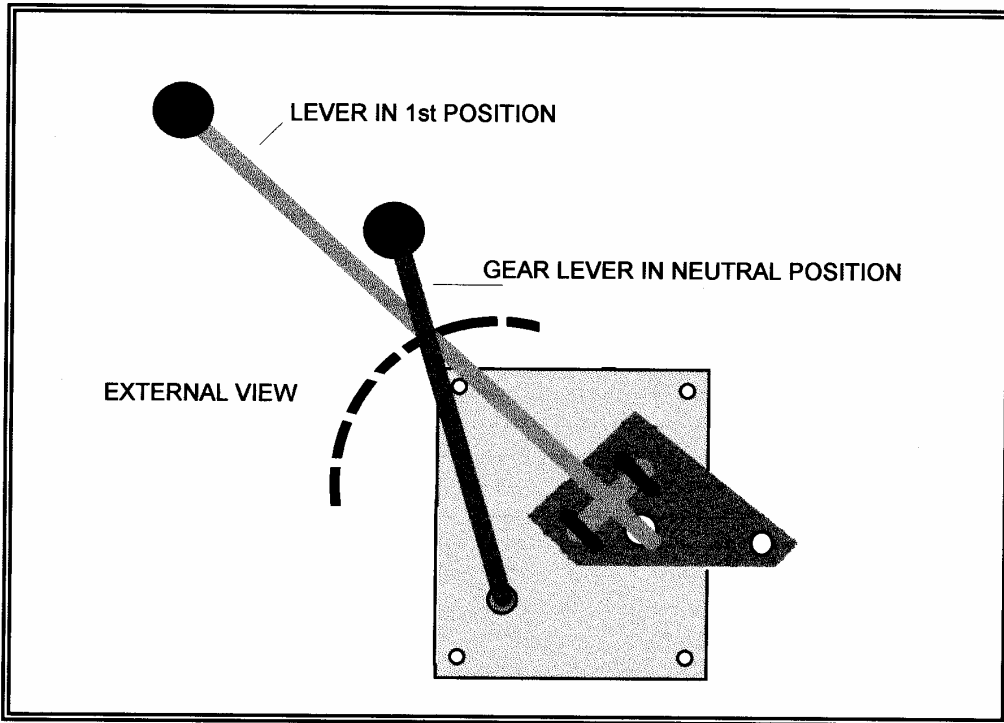
BRIGGS & STRATTON 10hp & 12hp. _____ HONDA GV400 11hp.

ILLUST. No.	DESCRIPTION.	PART No.
1	TANK, "DEUTSCHER"	R260
2	TANK CAP	R261
3	STRAP, ANGLE	R262
4	STRAP, SQUARE	R263
5	BRACKET, 10 & 12 hp B&S	R264
6	BRACKET, 12hp B&S	R265
7	BRACKET, 10 hp. B&S	R265A
8	BRACKET, GV400	R268
9	BRACKET, GV400	R267
10	HOSE & CLAMPS, 10 & 12 hp. B&S 770mm	R266

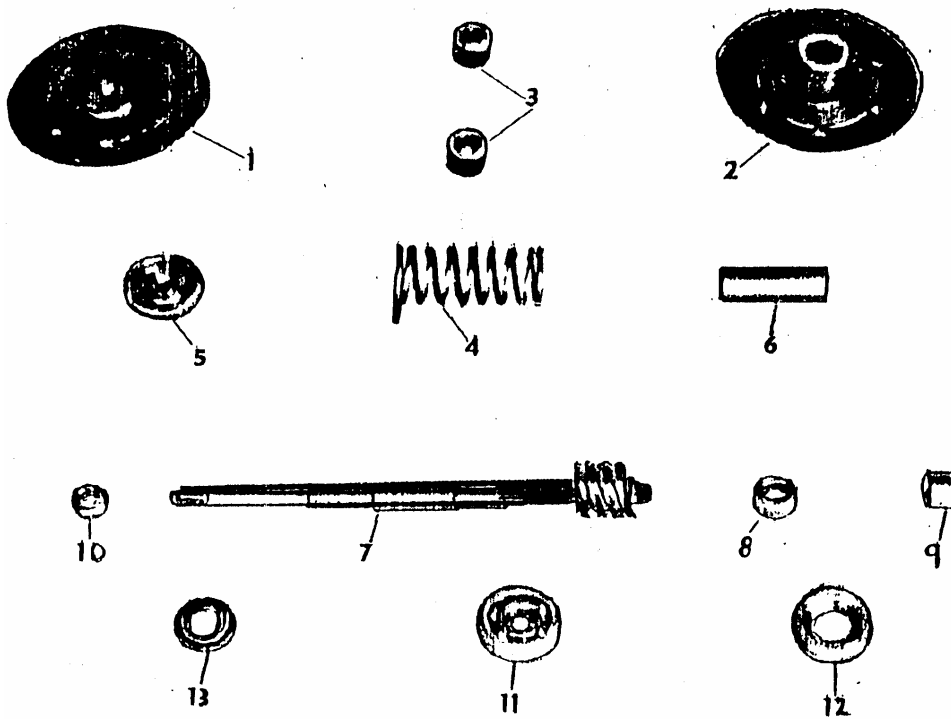
HONDA GXV340 11hp.

11	TANK	R280
12	TANK CAP	R281
13	TANK STRAP x 2	R282
14	BRACKET	R285
15	HOSE & CLAMPS	R284

RD124 GEAR LEVER ASSEMBLY

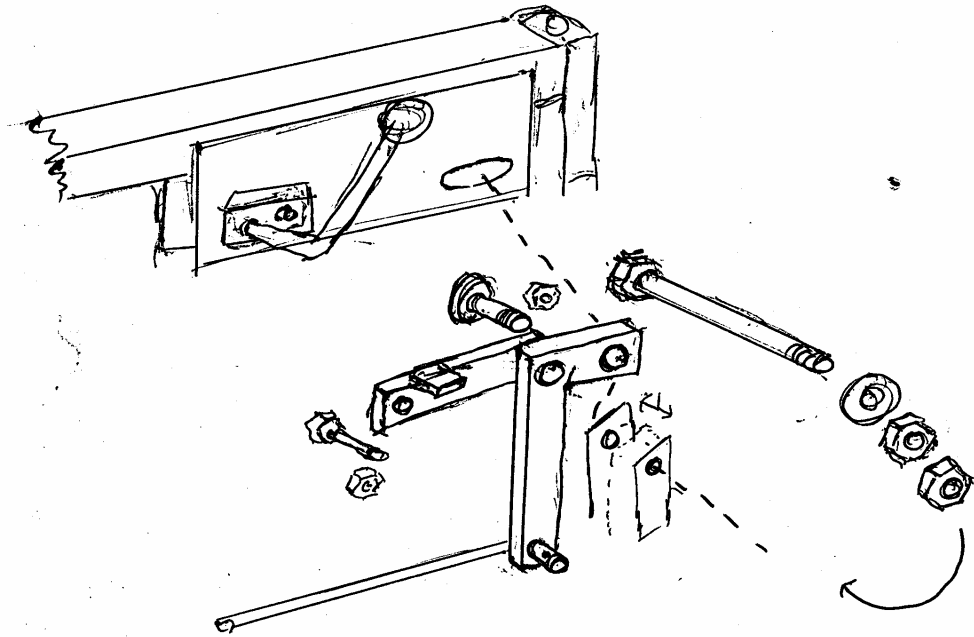


INPUT SPINDLE ASSEMBLY



<u>Illus. No.</u>	<u>Description.</u>	<u>Part No.</u>
1	BOTTOM PULLEY SHEAVE	RD150
2	TOP PULLEY SHEAVE inc. BUSHES	RD151/2
3	SHEAVE BUSHES	RD152
4	SPRING	RD153
5	SPRING CAP	RD154
6	SLIDING PULLEY SLEEVE	RD155
7	INPUT SPINDLE & GEAR	RD156/7
8	ROLLER BEARING (B128)	RD194
9	PLUG	RD161
10	TOP SPACER	RD162
11	BALL BEARING (RMS5)	RD163
12	OIL SEAL HOLDER	RD164
13	OIL SEAL	DD90

**Model "R"
280 & 360
Belt tension Mechanism**



GASKET & SEAL KIT

Part No. RD400

RD250S TRANSMISSION

<u>Part No.</u>	<u>Description.</u>	<u>Quantity.</u>
RD196	MAIN GASKET	1
RD137	TAPPET CASTING GASKET	1
RD133	O-RING	2
DD90	SEAL	1
RD186	SEAL	2

SUNDRY PARTS NOT ILLUSTRATED

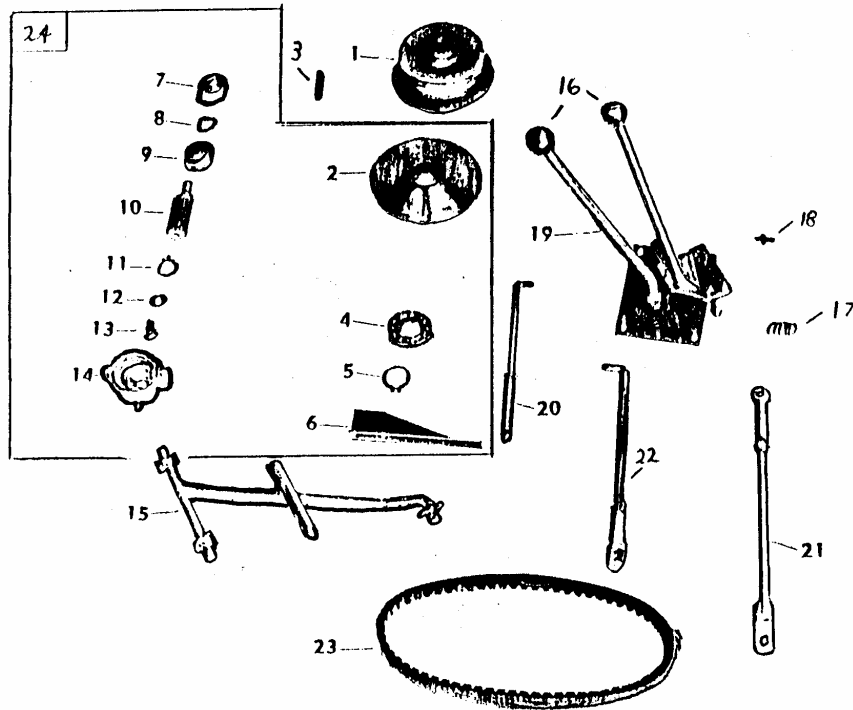
<u>Description.</u>	<u>Part No.</u>
THROTTLE CABLE, SHORT	RD208
THROTTLE CABLE, LONG, GXV340, (UNIVERSAL)	D130
THROTTLE LEVER	Z08
BRACKET & SPACER FOR GV400 THROTTLE	R220
BRACKET, B&S THROTTLE	R221
BRACKET, QUADRANT, SPEED LEVER CONTROL	R224
SEAT	R251
BACK REST	R252
BELT COVER, 360	R254
SEAT FRAME	R256
SEAT HINGE	R503
SEAT SPRING	R504
BRAKE ROD, LONG	R301
BRAKE ROD, SHORT	R302
BACK PLATE	R257
TOUCH UP PAINT, DEUTSCHER GREEN 11L	D2720
DECAL SET 280	R410-28
DECAL SET 360	R410-36

Parts Book

R 405

NOTES

VARIABLE SPEED DRIVE ASSEMBLY



<u>Illus. No.</u>	<u>Description.</u>	<u>Part No.</u>
1	ENGINE PULLEY (280, 4")	RD101/4
-	ENGINE PULLEY (360, 4.5")	RD101/4.5
2	BOTTOM SHEAVE	RD102
3	KEY	RD126
4	THRUST BEARING, 6006N	RD104
5	CIRCLIP 30mm	RD105
6	STOP PLATE	RD106
7	SLEEVED BEARING	RD107
8	WASHER	RD108
9	SLEEVE	RD109
10	SPLINE SHAFT	RD110
11	CIRCLIP 25mm	R29
12	WASHER	RD112
13	SCREW	RD113
14	BEARING HOUSING	RD114
15	BOTTOM LEVER	RD115
16	KNOB	D42
17	SPRING	R87
18	GREASE NIPPLE	R13
19	LEVER ASSEMBLY	RD124
20	GEAR CHANGE ROD	RD120
21	SPEED CONTROL ROD	RD121
22	BRAKE ROD	RD122
23	BELT	RD123
24	PULLEY ASSEMBLY COMPLETE	RD125