

## **DEUTSCHER Rear Discharge ZTR, Model No 36391**

### Additional Specifications and Instructions

#### Specifications

- **Width of cut**, 1400mm (54")
- **Cutting height**, Lowest 20mm, highest 90mm
- **Engine**, Honda 20 Hp GXV 620 K1QAF
- **Air cleaner** – Heavy duty remote Cyclonic type.
- **Grass discharge**. All material is discharged out the rear of the mower, between the rear wheels.

#### General Comments

Rear-discharge mowers are inherently safer than side discharge units and are keenly sought by operators mowing in public environments. A rear discharge mower allows the debris to be discharged out the rear of the machine instead of out the side and onto roads, footpaths, flowerbeds and monuments. This allows the operator to mow close to objects on both sides.

#### Mowing

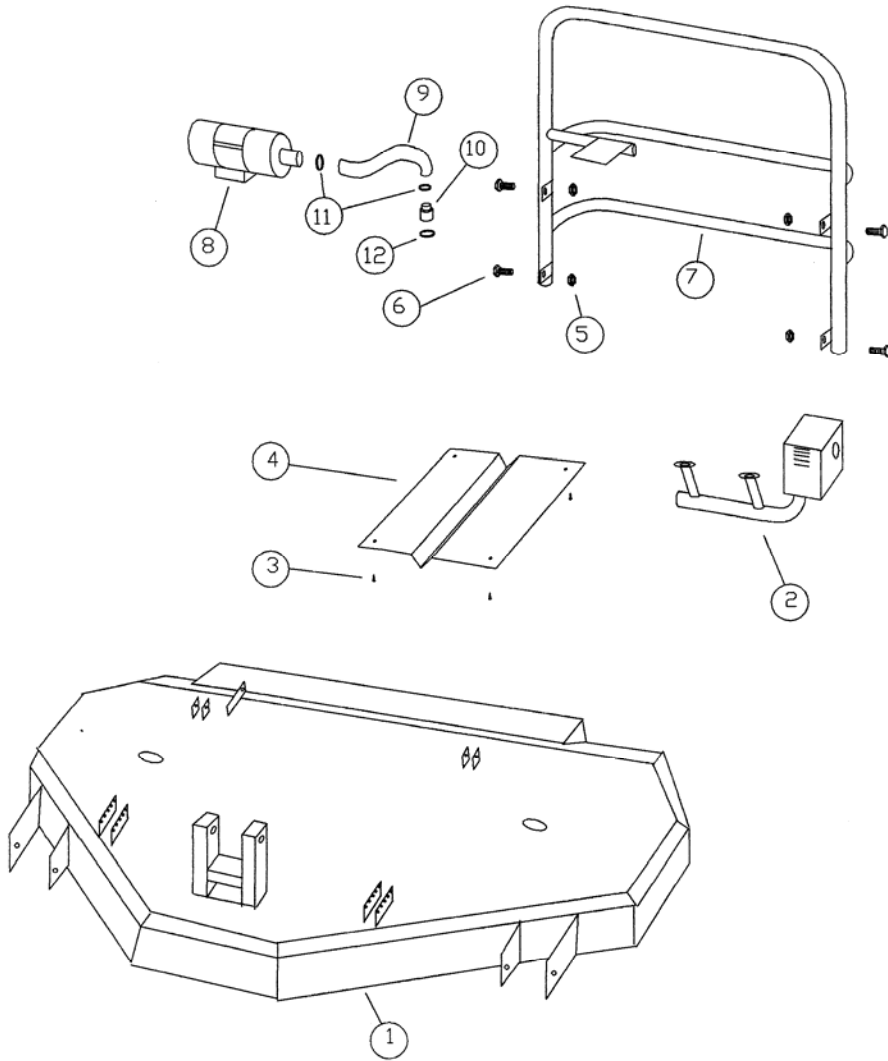
There is no significant difference in mowing technique or safety precautions between the rear discharge ZTR and the side discharge ZTR. However, please be aware that any thrown objects are likely to be discharged out the rear of the mower, rather than to the side.

#### Maintenance

Regularly check the compartment under the seat for grass "build-up" on the hydrostatic transmission units. Wash the area clear if grass build-up is observed.

In dusty conditions ensure the air cleaner is serviced regularly.

To ensure correct operation of the mowing deck, periodically check that the guides welded above the disc blades are securely in position and not bent out of shape from contact with foreign objects. Check regularly that all blades and blade bolts are not worn or damaged.



## Rear Discharge ZTR 1400, Component Parts

Item	Part No	Part Description
1	1769	Rear discharge deck assembly.
2	1957	Honda muffler VSM3
3	1762	Self threading screw
4	1775	Chassis plate
5	1062	Nut, nyloc, 3/8"
6	1058	Bolt, 3/8" x 1"
7	1776	Bumper bar assembly, rear discharge.
8	1799	Air cleaner, Honda No.
9	1804	Air cleaner hose.
10	1785	Air intake extension - adaptor
11	1791	Hose Clamp BUR Norma 25 - 40 mm (2 off)
12	1792	Hose clamp BUR Norma 40-60 mm (1 off)